


Mirror Image

108 Barnsley Road Wath Upon Dearne Rotherham
S63 6DQ

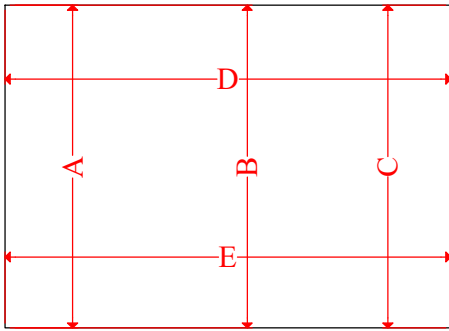
01709 878227

Key.

 Scribes & filler panels

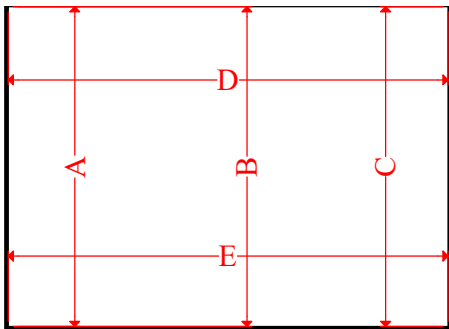
Important: We always need the MINIMUM height from A, B and C. Measure carefully otherwise we could make your doors too big. For the width, D and E, use the Maximum measurement. This is less critical than the height. Please do not hesitate to ask us any questions you may have via phone, email or social media.

Option 1: Floor to ceiling, wall to wall



Option 1 is the easiest to measure and install. Any skirting boards, coving or anything else on the wall will need to be removed, or wall liners will need to be installed prior to the measuring.

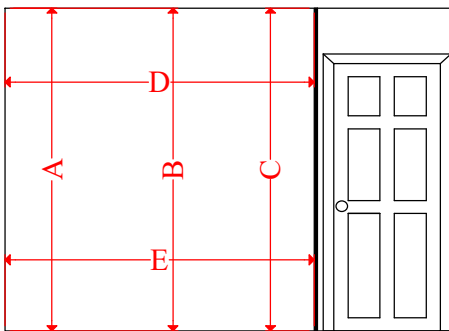
Option 2: Using floor and wall liners



Wall liners are perfect if your walls aren't quite level or you are fitting on a carpet or laminate. Simply install the liners, using any packing required to make them level, then take the measurements from inside the liners

We can supply the wall liners in a wide range of colours found on our website or in our showroom. Alternatively, you can use MDF to easily decorate to your style

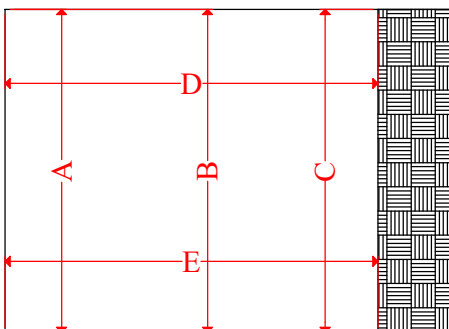
Option 3: Wall to end panel



End panels are ideal if you don't want the doors to run the full length of your room or you want to fit the sliding doors upto a door frame. Simply install the end panel where you want the doors to finish and measure within the end panel.

We can supply the end panel in a wide range of colours found on our website or in our showroom. Alternatively, you can use MDF to easily decorate to your style

Option 4: Using fillers



For openings wider than 4800mm either a filler piece is required or our Calgary/Niagara system is needed

You will only need this option if the opening is wider than our track length. The filler can be placed at either the left or right hand side.


We can supply the filler pieces in a wide range of colours found on our website or in our showroom. Alternatively, you can use MDF to easily decorate to your style

Mirror Image

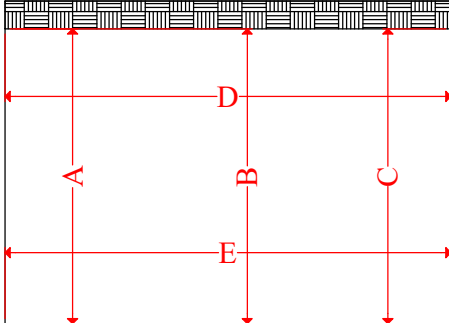
108 Barnsley Road Wath Upon Dearne Rotherham
S63 6DQ

01709 878227

Key.

 Scribes & filler panels

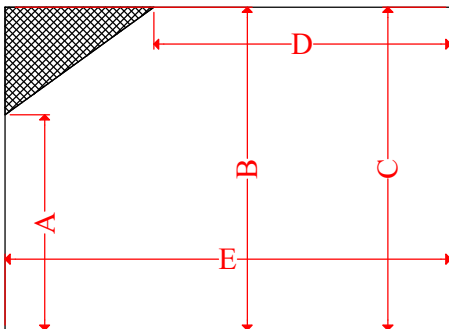
Option 5: Reducing room height with a scribe



If your height is above 2400mm or your ceiling isn't level then you will need to reduce the height with a scribe. You will also be able to scribe around any coving that is still up. Timber will be required to support the scribe and fix the top track in place.

Option 5 can be used in conjunction with both Options 1, 2, 3 and 4

Option 6: Angled ceilings

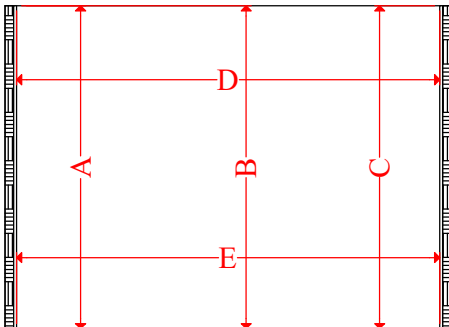


If you have an angled ceiling then you will require our Calgary/Niagara door system.

In this instance, A is the measurement to the bottom of the angle and D is the width of the opening from wall to the edge of the angle. We will need both of these measurements plus the MINIMUM of B and C and the MAXIMUM of E. These will be the opening measurements.

Option 6 can be used in conjunction with Options 2,3,4 and 5

Option 7: Using Scribes and End fillets



Scribes and End Fillets do the same job as the wall liners in Option 2, but the scribes are much thicker and can be scribed (cut) around any discrepancies on your wall, or skirting boards, Coving etc. The scribes can be any width you require.

We can supply the scribes and End Fillets in a wide range of colours found on our website or in our showroom. Alternatively, you can use MDF to easily decorate to your style

Option 7 can be used in conjunction with both Options 3,4,5 and 6